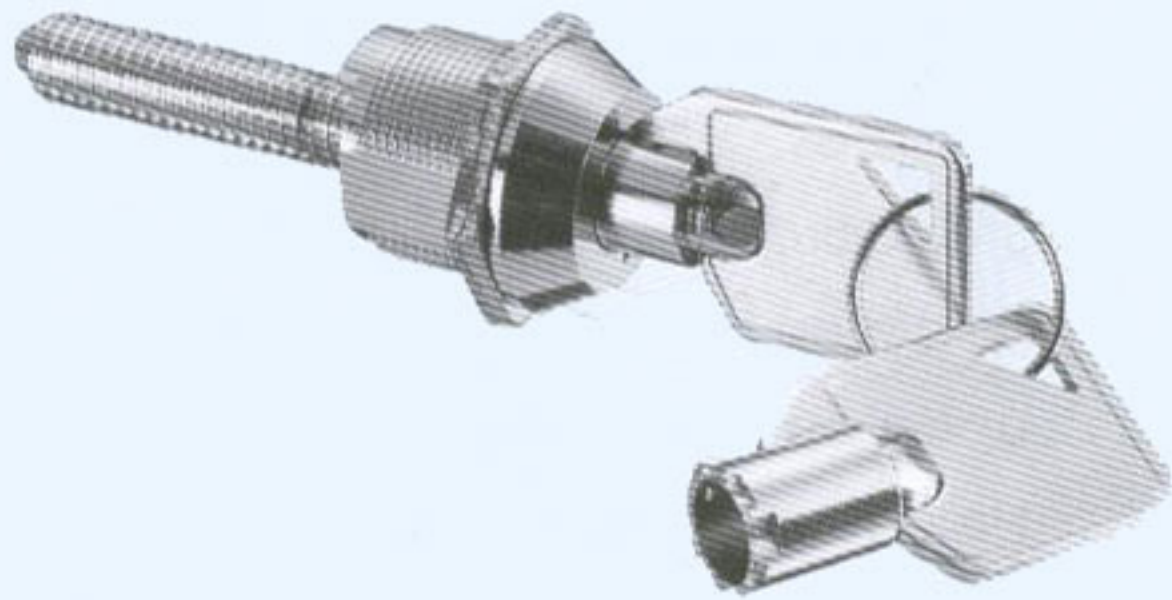


VT510

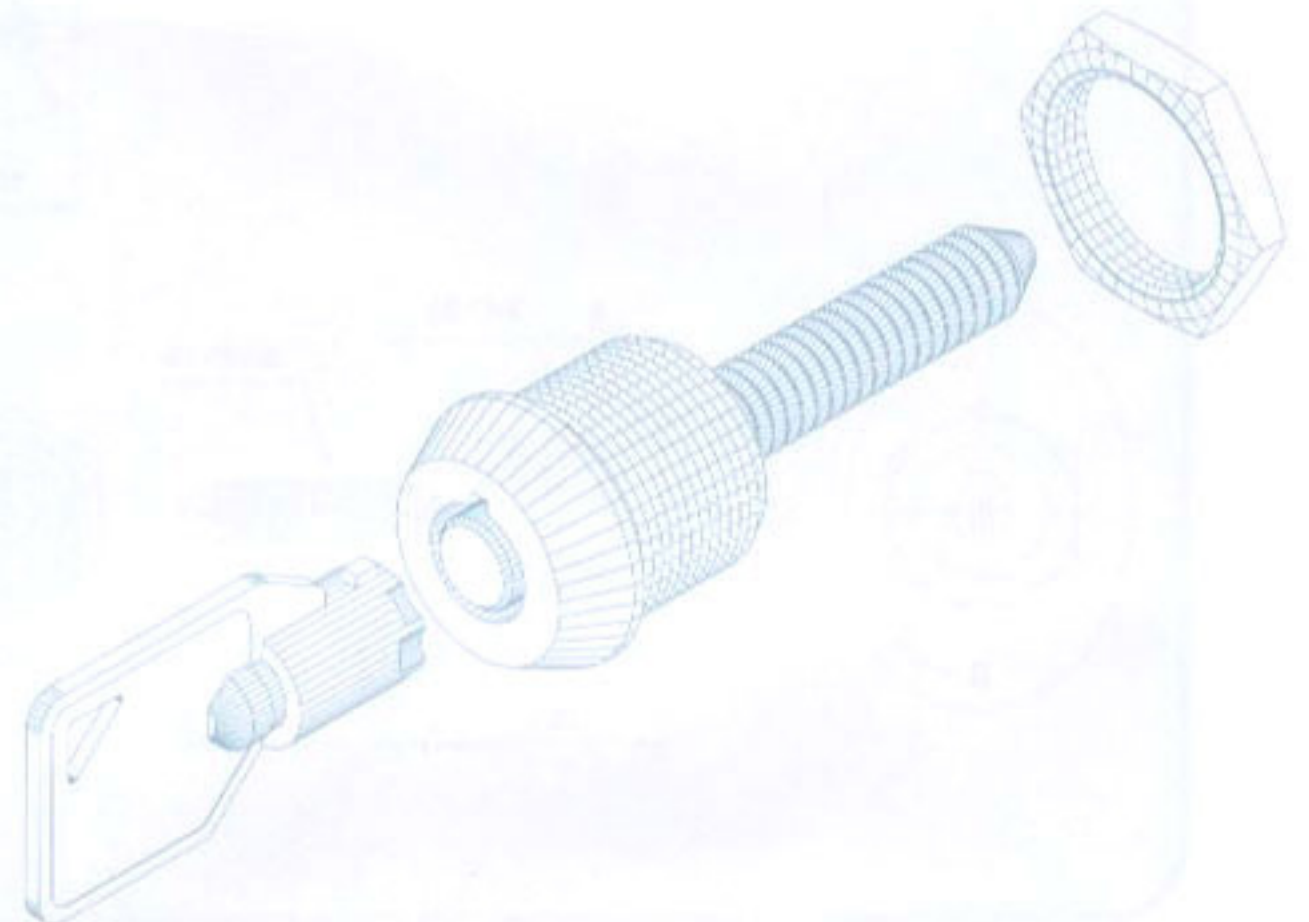
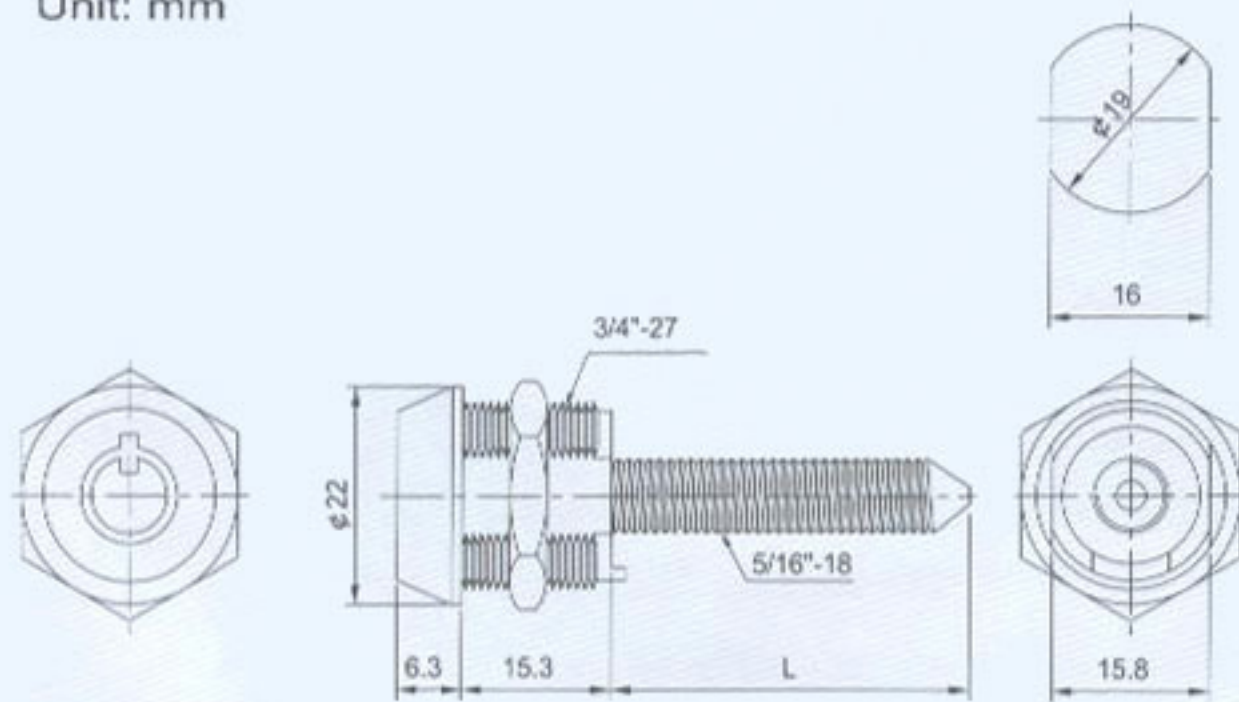


DESCRIPTION

- . Zinc alloy die cast housing and brass cylinder, with one key pull or two key pulls.
- . Brass housing and cylinder, with more than one key pull.
- . Bright chrome plated standard.
- . 7 pin tumbler mechanism.
- . Steel made tubular keys, nickel plated.
- . Key may be withdrawn in one or four positions.
- . Standard thread on shaft is 5/16"-18.
- . "L" dimension 35.4mm standard, others upon customer request.
- . Hex nut mounted.
- . All keyed alike or one combination per 100pcs standard.
- . 10000 combinations available.

Unit: mm

Recommended hole size



■ -INDICATES KEY-PULL

● -INDICATES NO KEY-PULL



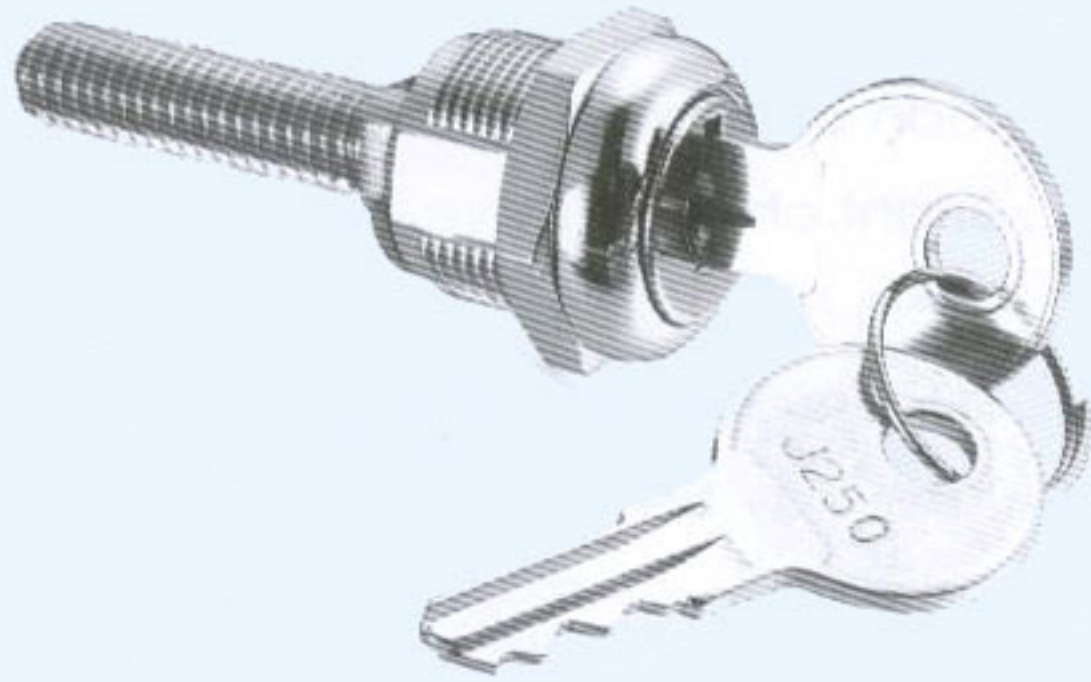
Fig.1



Fig.2

Fig No	Lock Number	Positions	Key Pulls	Turn
1	VT510-1	1	1	360°
2	VT510-4	4	4	360°

VT650

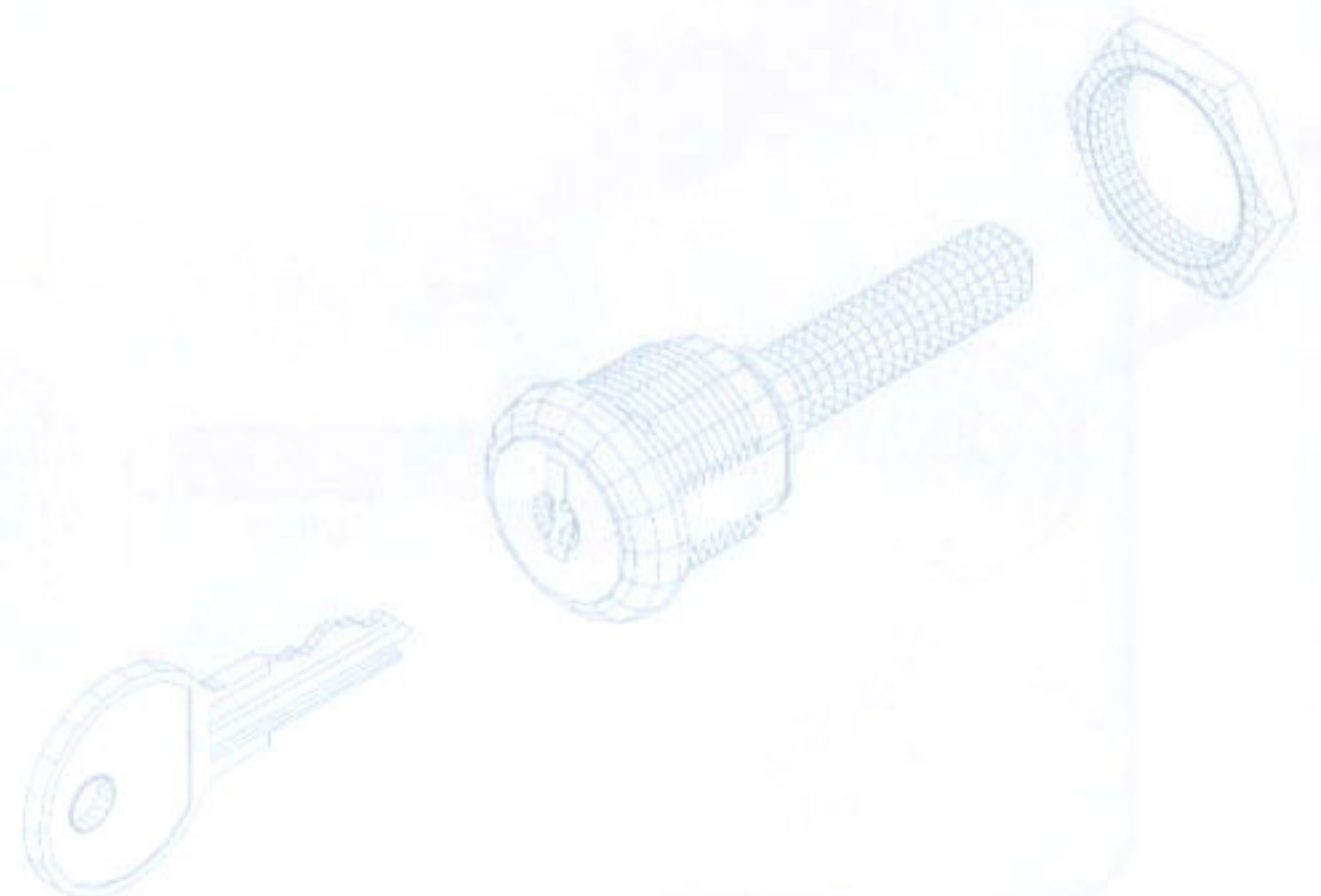
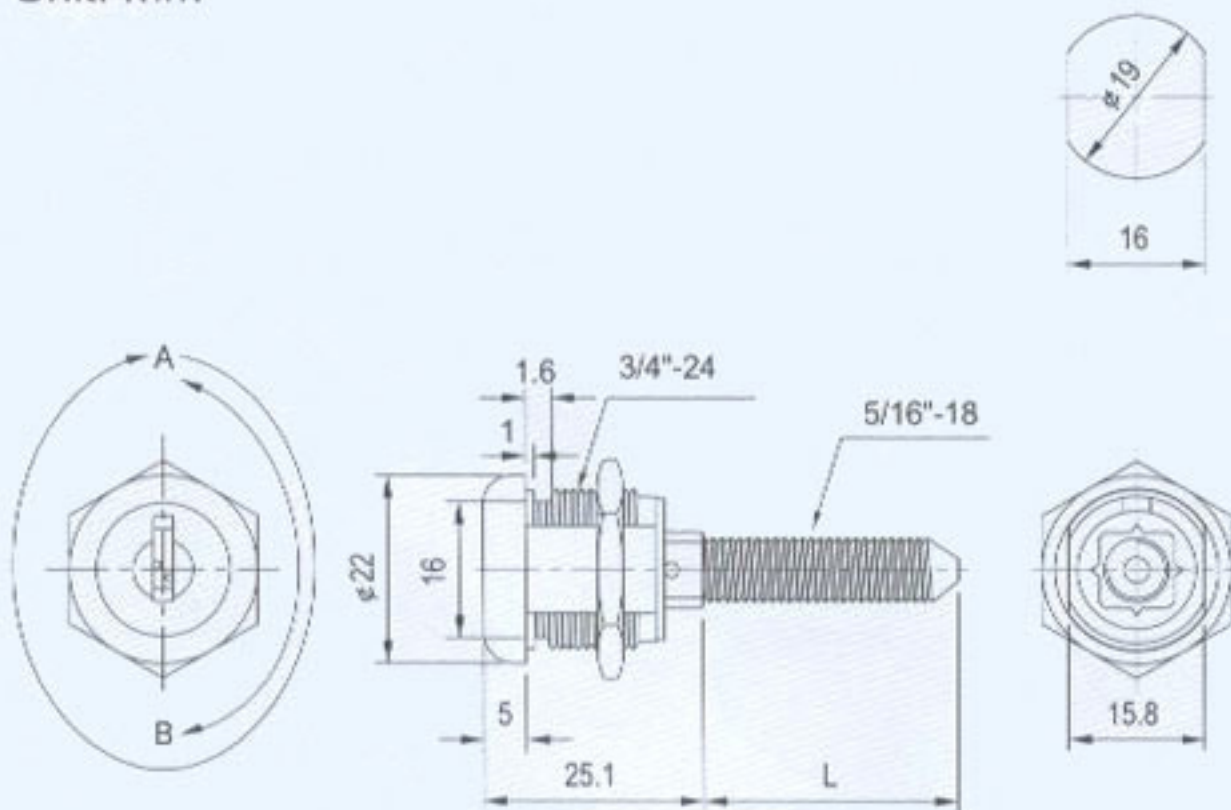


DESCRIPTION

- . Zinc alloy die cast housing and cylinder.
- . Bright chrome plated standard.
- . 5 disc tumbler mechanism.
- . Brass keys, nickel plated.
- . Key may be withdrawn every 90 degrees.
- . Standard thread on shaft is 5/16"-18.
- . "L" dimension 30.8mm standard, others upon customer request.
- . Hex nut or speed clip mounted.
- . All keyed alike or 25 combinations standard.
- . 100 combinations available.

Unit: mm

Recommended hole size



■ -INDICATES KEY-PULL

● -INDICATES NO KEY-PULL



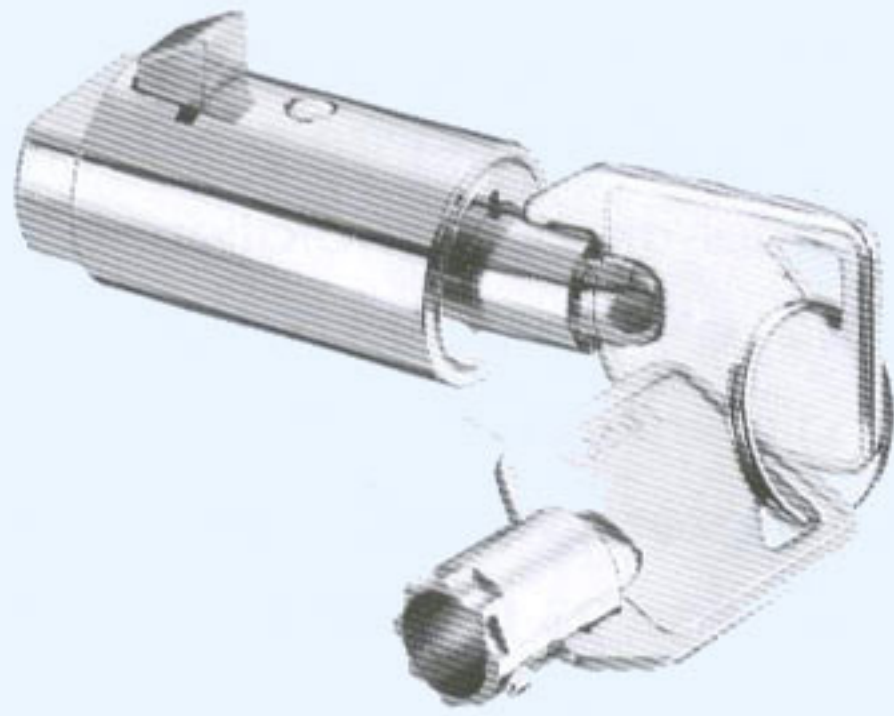
Fig.1



Fig.2

Fig No	Lock Number	Positions	Key Pulls	Turn
1	VT650-2	2	2	180°
2	VT650-4	4	4	360°

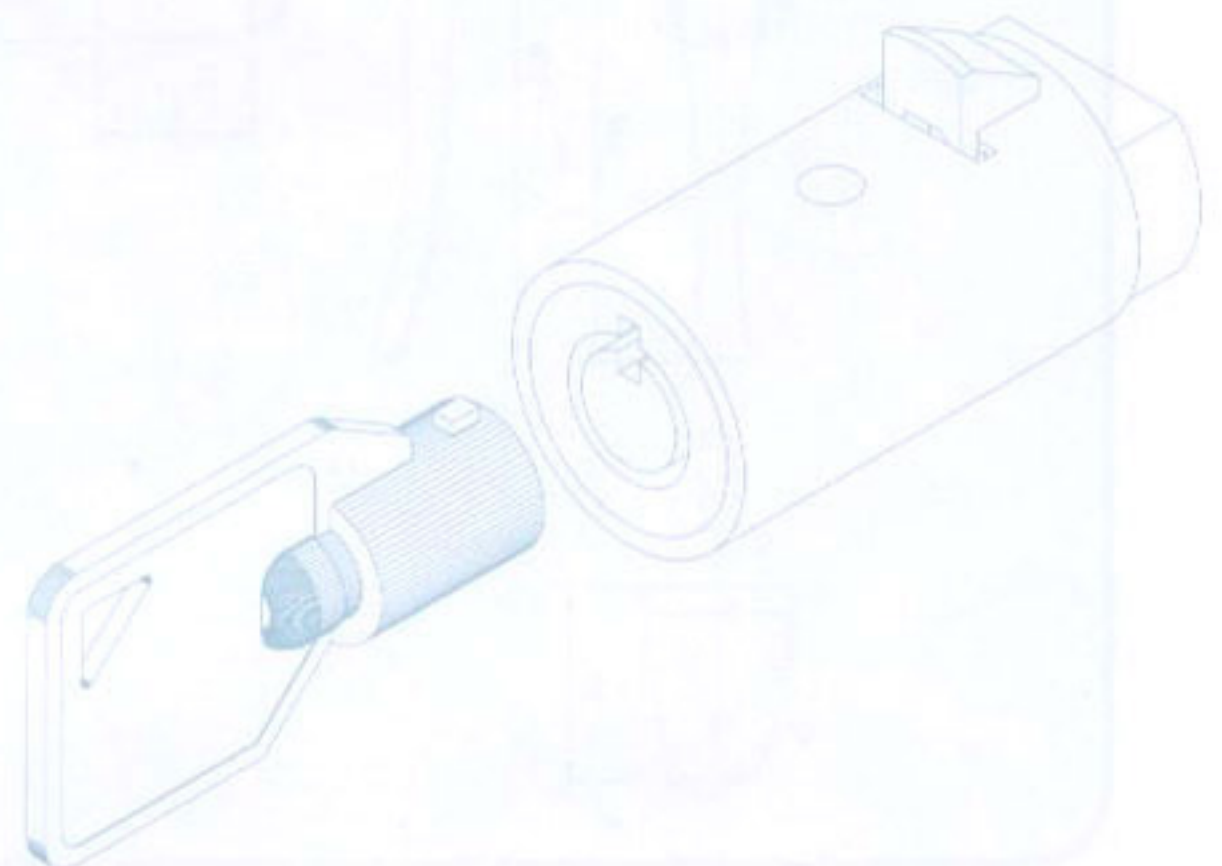
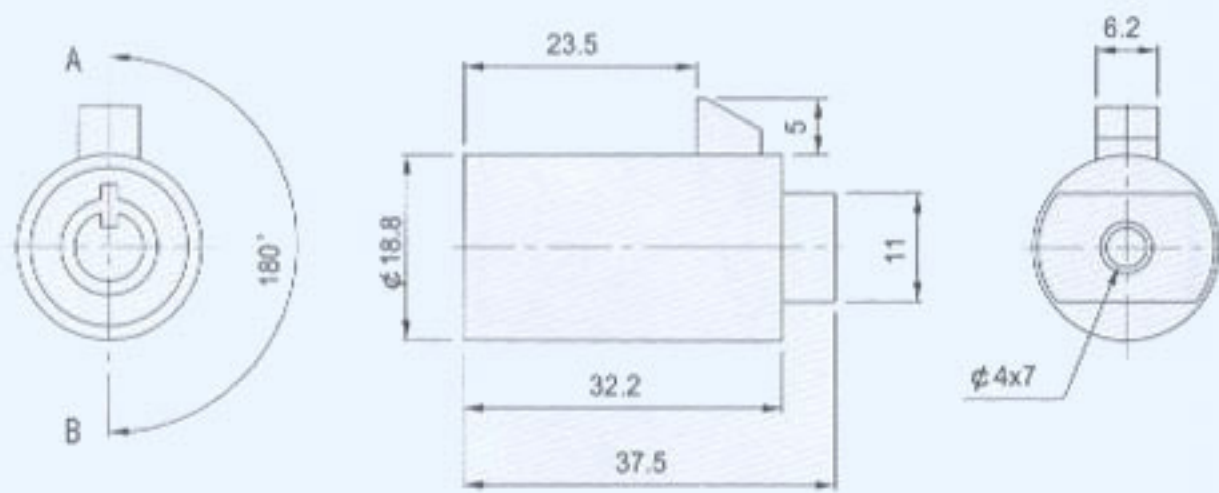
VT540



DESCRIPTION

- . Zinc alloy die cast housing cylinder.
- . Bright chrome plated standard.
- . 7 pin tumbler mechanism.
- . Steel made tubular keys, nickel plated
- . Key withdrawals in one position only.
- . 180 degree rotation to unlock.
- . All keyed alike or one combination per 100pcs standard.
- . 10000 combinations available.

Unit: mm



■ -INDICATES KEY-PULL

● -INDICATES NO KEY-PULL



Fig.1

Fig No	Lock Number	Positions	Key Pulls	Turn
1	VT540	2	1	180°